



TAURULIFT T 133H



www.ausa.com

AUSA Center, S.L. ● Ctra. de Vic, Km 2.8 - P.O.B. 194, 08243 Manresa - BARCELONA (ESPAÑA) Tel.: +34 93 874 73 11 E-mail: ausa@ausa.com

ISO 9001

ISO 14001



(Sede central AUSA-Manresa)

AUSA Madrid ● Pol. Ind. Coslada-Marconi 15-17, 28823 Coslada - MADRID (ESPAÑA) Tel.: +34 91 669 00 06 E-mail: ausa.madrid@ausa.com

AUSA France ● Z. I. Saint Charles-Rue de Zürich, 66000 PERPIGNAN (FRANCE) Tel.: +33 (0) 4 68 54 38 97 E-mail: ausa.france@ausa.com

AUSA Verkauf & Service Deutschland ● Heinrich-Welken Str. 5, 59069 HAMM - RHYERN (GERMANY) Tel.: +49 (0) 2385-9359362 E-mail: ausa.deutschland@ausa.com

BEIJING Rep. office ● Address Room 527, HengXiang Building, Tuanjiehu Nanli, Chaoyang District. - Beijing 100026 CHINA

Tel: 86-10-8597 1983 - Fax: 86-10-8597 1993 - E-mail: ausa.china@ausa.com

AUSA UK ● Sales: 07970639988 E-mail: ausa.uk@ausa.com

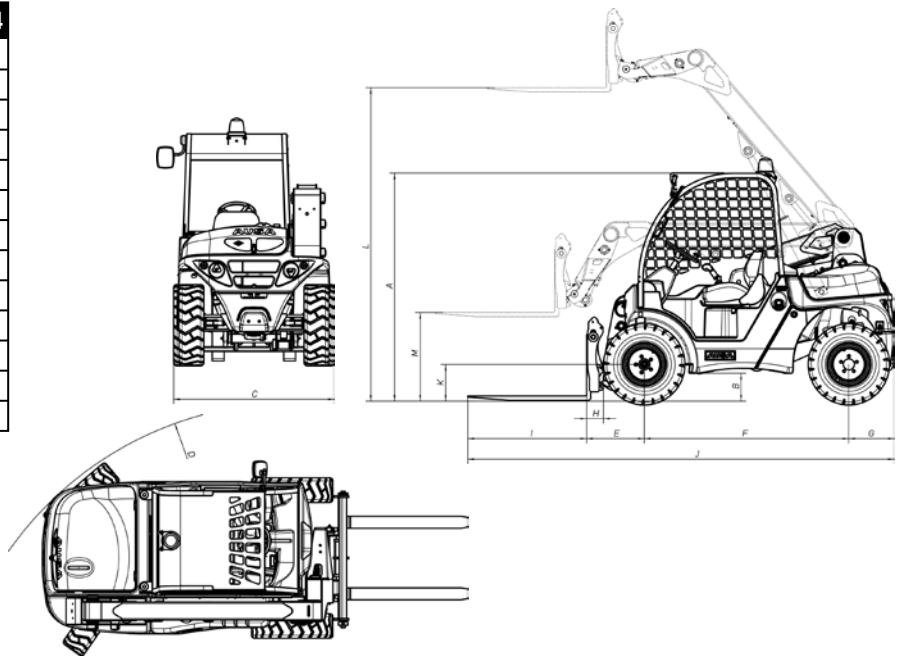
AUSA Northamerica Corp. ● E-mail: ausa.corp@ausa.com



T 133 H

www.ausa.com

DIMENSIONS (mm)	T 133 H	T 133 H x4
A	1924	1942
B	263	270
C	1347	1410
D	2919	2982
E	485	485
F	1723	1723
G	383	383
H	143	123
I	1000	1000
J	3591	3591
K	310	310
L	2644	2644
M	748	748



TECHNICAL SPECIFICATIONS

		T 133 H	T 133 H x4
Load capacity	Max. load (Kg)		1.300
	Load at max. height (Kg)		1.300
Lifting height	Maximum lifting height (mm)		2.700
	Lifting height at max. load (mm)		2.700
Reach	Max reach (mm)	411	390
	Capacity at max reach (Kg)		1.300
Unload weight (Kg)		2000	2200
Engine	Diesel	Kubota D-1105	
	Power acc./DIN 70020 (rpm)	16.8 KW (22.4 CV) / 2.700	
	Torque	71 Nm	
	N° of cylinders	3	
	Cooling system	Water	
Traction		4x2	4x4
Transmission		Hidrostatic 1 gear	
Clutch		NO	
Engine starting system		Electric	
Speed (km/h)		20	
Axles		AUSA "NTJ"	
Gradient negotiable (with full load)		31 %	26 %
Hydraulic circuit	Working pressure	240 bar	
	Hydraulic pump	8 cc	
	Flow circuit (l/min)	19.5	
Tyres	Front	7.00 - 12	27x10 - 12
	Rear	7.00 - 12	27x10 - 12
External turning circle (mm)		2919	2982
Steering		Hydraulic	
Tank capacity	Fuel (l)	55	
	Hydraulic fluid (l)	32	
Service brake		Hydrostatic brake system	
Parking brake		Mechanically applied hydraulically released inside the hydrostatic motor	
STANDARD EQUIPMENT		Seat belt	
		Joystick with "total control" of movements	
		Homologated "FOPS-ROPS" cabin	
		Rotating beacon	
		Rear view mirror	
		Audible reverse warning	
OPTIONAL EQUIPMENT		Antivandalic system	
		Power take off with quick coupler	
		Load guard	
		Lighting equipment	
		Working light	
		Semi-closed cabin	
		Full cabin with heating	
		Side shift	
		Attachment to lift the machine with a forklift	
		Bucket (300 l / 400 l)	
	4 en 1 bucket		
	"Pelikan" bucket		
	"Pelikan" forks		
	Agricultural forks		
	Bullet forks		

AUSA reserves the right to make any changes in the specifications without prior notice.